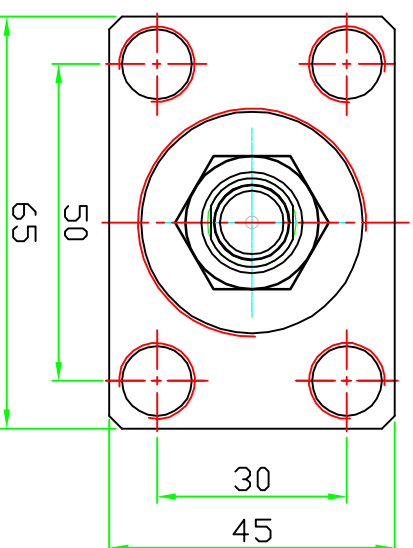
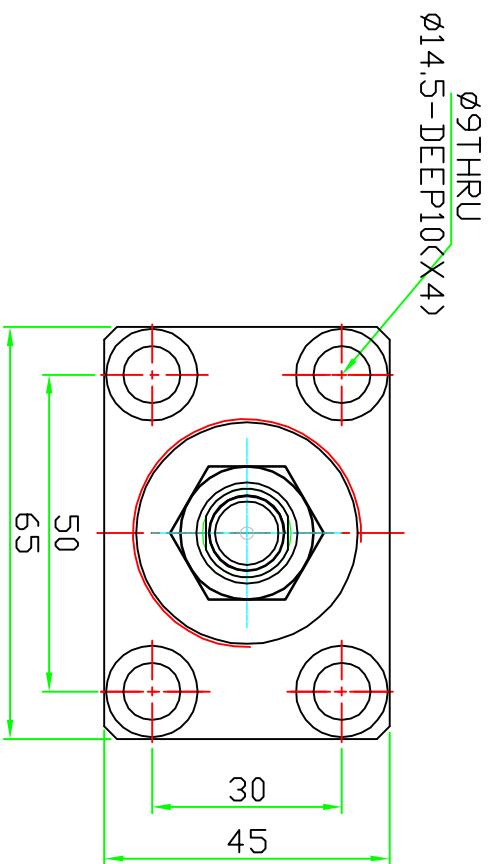
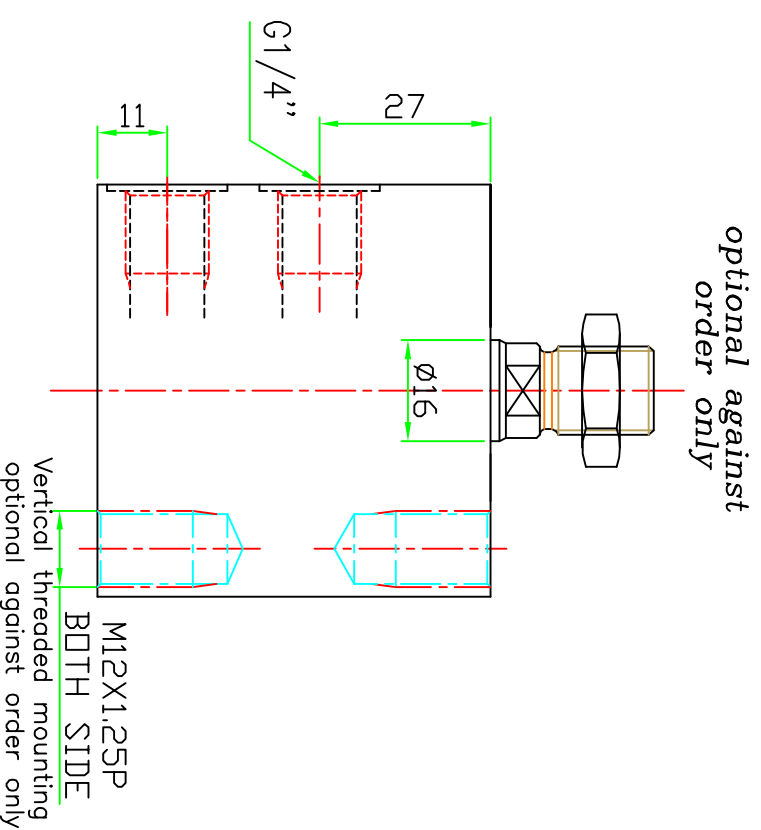
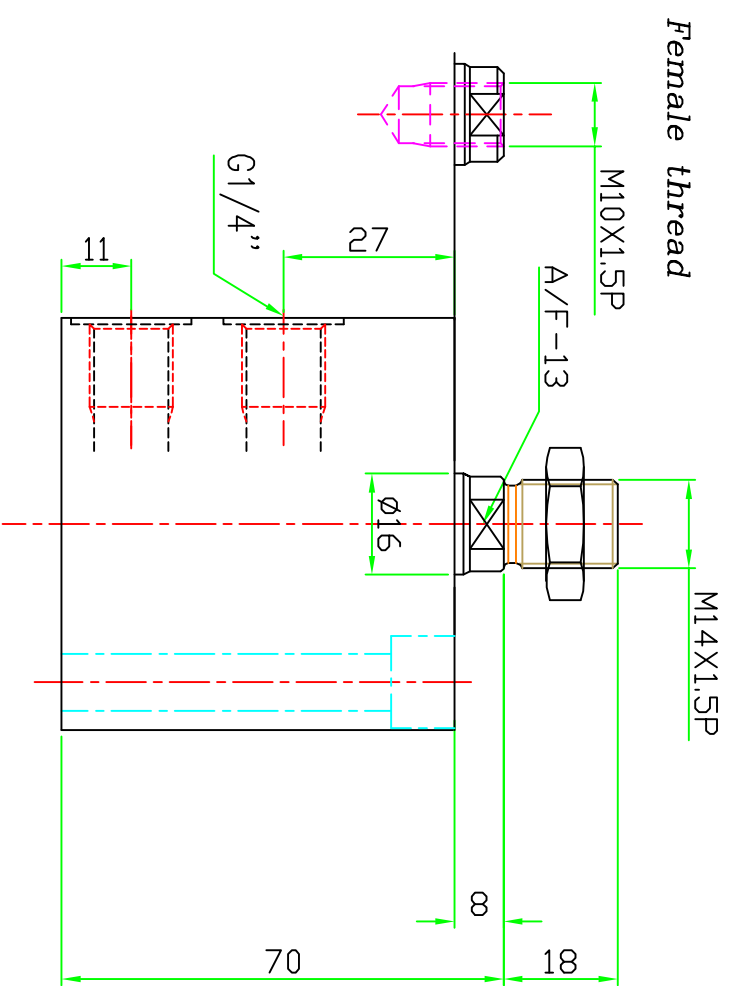


SHORT STROKE (S)



**Model NO-Male thread-A31303**  
**Female thread-A31304**

**Specification:-**  
Type : Double acting hydraulic cylinder.  
Bore dia = 25 mm, rod dia = 16 mm  
Stroke = 10 mm  
Operating pressure : max 250 bar/min 10 bar  
Medium :Hydraulic oil (servo system HLP46/HLP68)

- 1.0 GENERAL
- 1.1 ALL DIMENSIONS ARE IN MM.
- 1.2 DO NOT SCALE THE DRG.IF IN DOUBT ASK.
- 1.3 SUBJECT TO CHANGE FOR IMPROVEMENT.

REVISION			
ZONE	REV	FROM	DATE

SURFACE FINISH		▽▽▽	▽▽	▽▽	▽▽	▽	~		
Ra value μm		0.025	0.05	0.1	0.2	0.4	0.8	1.2	
GENERAL TOLERANCES WHERE NOT SPECIFIED									
LINEAR - LENGTH OR DIAMETER					ANGULAR-LENGTH IN MM OF SHORT SIDE OF ∠				
0.5-6	6-30	30-120	120-315	315-1000	1000-2000	UPTO 6	6-30	30-120	120-400
±0.1	±0.2	±0.3	±0.5	±0.8	±1.2	±1'	±30'	±20'	±10'
SCALE: 1:1									
NAME	DATE	TITLE			MATERIAL:	GROUP NO:		SHEET NO:	
TIRUMAL	22.08.08	BLOCK CYLINDER			XXX	SUPERCEDED BY		1 OF: 1	
DRAWN	22.08.08	DOUBLE ACTING				REPLACES			
CHECKED		CUSTOMER:				DRAWING NO:			
APPROVED									

**QUICLOC**  
**PVT LTD**  
**B'lore - 70**